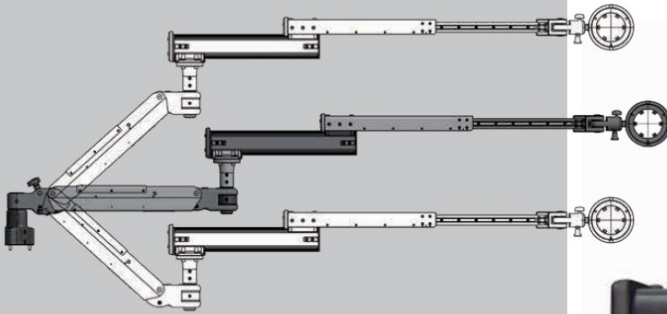


SERIES 6

REACH		MAX. up to 18 kg	TORQUE up to 300 Nm
↑ VERT. 669 mm	→ HORZ. 2095 mm		
26 in	82 in	40 lbs	220 ft-lb



An extendable arm with ball linear guideways attached to a pendulum base arm, both capable of 360° rotation. A compact arm that offers versatility for any type of tool. The telescopic top arm allows the user to work on hard to reach areas comfortably, quickly and safely. Built for a wide variety of applications.



	FLOOR MOUNTED/ CEILING MOUNTED	REACH mm		MAX Kg		REACH in		MAX LBS
		VERT	HORZ			VERT	HORZ	
SC	Short Arm	669	1747	18	V/	26	68	40
SM	Long Arm	669	2095	10	V/	26	82	22

DESCRIPTION

- BPRASC** Series 6 Short
- BPRASM** Series 6 Long

Compare Series, pg 26

COMPATIBLE HEAD MEMBERS

SC: ALL SM: N, T only

See Headmembers, pg 20

BRAKE OPTIONS

- V800 V1200**
- L00** No brakes
- L22** Pneumatic
- L92** Tool trigger Activated



**Get Your
Tool into
Tight Spaces
Safely**