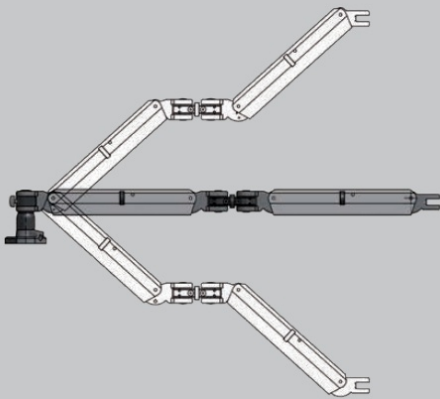


SERIES 1

REACH		MAX. up to
↑ VERT.	→ HORZ.	
1070 mm	1123 mm	10 kg
44 in	43 in	22 lbs

Series 1 arms are capable of the most difficult operations and positions required. The innovative connections between the parts of the arm allow completely free movement of rolling up, down and sideways



ORIENTATION

1PL1DS Floor Mounted

1AM1DS Ceiling Mounted

Compare Series, pg 26

COMPATIBLE HEAD MEMBERS

B, BA, C, E, EA, F, G, K, N, T

See Headmembers, pg 20

BRAKE OPTIONS

L00 No brakes

10

3arm® Solutions

A Trolley Column with Lifter can add the mobility needed for your application and add even more vertical reach at the same time.

See More Solutions, pg 22

