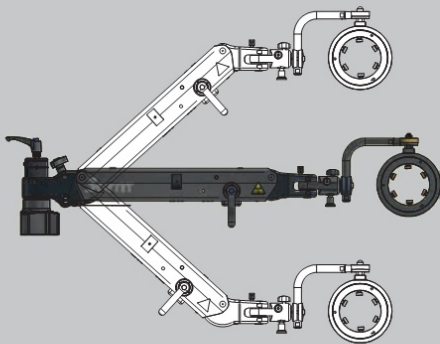


SERIES 0

| | | | |
|------------------------------------|-----------------------------------|-------------------------------|----------------------------------|
| REACH | | MAX. up to 35 kg | TORQUE up to 650 Nm |
| ↑ VERT. 1070 mm 42 in | → HORZ. 925 mm 36 in | | |

A single tilting arm for the most simple applications. Three different arm lengths, all the brake options and headmembers offers versatility for any kind of tool.



| | FLOOR MOUNTED | REACH | | MAX LBS | REACH | | MAX LBS |
|----------|---------------------|-------|------|---------|-------|------|---------|
| | | VERT | HORZ | | VERT | HORZ | |
| SN/ST DS | Extra Short Tilting | 500 | 510 | 30 | 19,8 | 20 | 65 |
| NS/ST BS | Short Tilting | 669 | 625 | 35 | 26,3 | 24,3 | 77 |
| SN/ST BM | Large Tilting | 1070 | 925 | 21 | 44,5 | 36,4 | 43 |

COMPATIBLE HEAD MEMBERS

All

See Headmembers, pg 20

BRAKE OPTIONS

- L00** No brakes
- L11** Manual
- L22** Pneumatic
- L50** Manual Locking Base
- L92** Tool Trigger Activated



3arm Solutions

The Balustrade Support for lifters and this simple 3arm fits perfectly construction & electrical applications.

See More Solutions, pg 22



**Pure
Simplicity
for holding
tools**