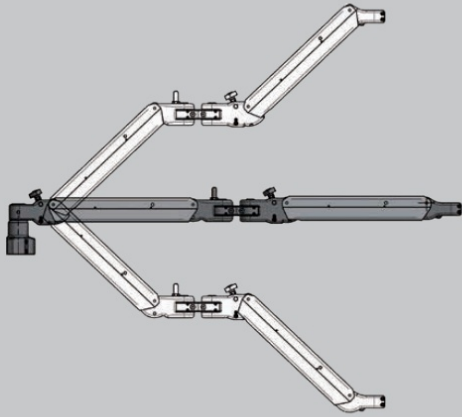


SERIES 4

REACH		MAX. up to 24 kg	TORQUE up to 300 Nm
↑ VERT.	→ HORZ.		
1340 mm	1555 mm	53 lbs	220 ft-lb
52 in	57 in		

The innovative connections between the parts of the arm allow completely free movement of rolling up, down and sideways. Capable of reaching the most difficult positions or work with weightless precision.



Floor mounted / Bottom Mounted		REACH mm		MAX Kg	REACH in		MAX LBS
		VERT	HORZ		VERT	HORZ	
A/DS	Short Arm	1020	1220	19	40	48	43
A/DM	Long Arm	1340	1555	24	52	57.5	53

Compare Series, pg 26

COMPATIBLE HEAD MEMBERS

ALL

See Headmembers, pg 20

BRAKE OPTIONS

L00 No brakes

L11 Manual

L22 Pneumatic

L50 Manual Locking Base

L92 Tool Trigger Activated

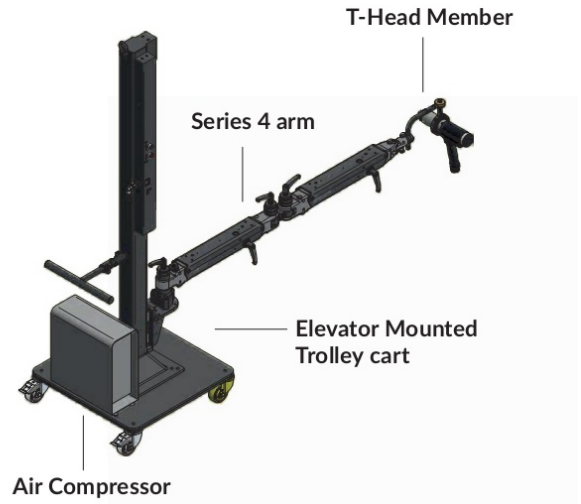
See Brakes, pg 20



3arm Solutions

A Trolley Elevator plus the Compressor makes your application fully mobile.

See More Solutions, pg 22



Dual Tilting Arms Expand the Range of Movement