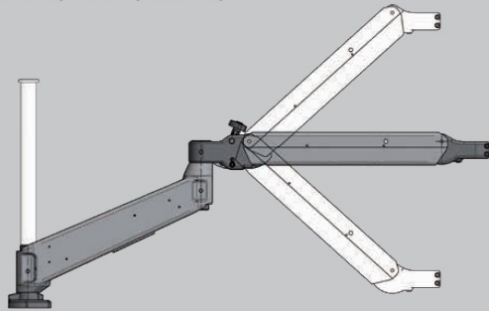


SERIES **3**

REACH		MAX. up to 35 kg	TORQUE up to 650 Nm
↑ VERT.	→ HORZ.		
1070 mm	1725 mm	35 kg	650 Nm
42 in	55 in	77 lbs	479 ft-lb

The most popular 3arm® due to versatility. Features “turning & tilting” brake locking systems (pneumatic or manual) allowing the operator to immobilize the arm, in a fixed position, on all axes simultaneously or separately.



The Workhorse of the 3arm® Series



FLOOR MOUNTED/CEILING MOUNTED		V/	REACH mm		MAX Kg	REACH in		MAX LBS
			VERT	HORZ		VERT	HORZ	
A/PSBS	Short Radial + Short Tilting	V/	669	1075	35	26.3	41.7	77
A/PSBM	Short Radial + Long Tilting	V/	1070	1375	21	44.5	53.5	40
A/PLBS	Long Radial + Short Tilting	V/	669	1432	35	26.3	55.9	77
A/PLBM	Long Radial + Long Tilting	V/	1070	1733	21	44.5	67.6	40

ELEVATING BASE

PEBS	Elevating Radial + Short Tilting	V/	1080	1125	35	26.3	43.7	77
PEBM	Elevating Radial + Long Tilting	V/	1519	1425	21	44.5	55.8	40

Compare Series, pg 26

BRAKE OPTIONS

- L00** No brakes
- L11** Manual
- L22** Pneumatic
- L50** Manual Locking Base
- L92** Tool Trigger Activated

See Brakes, pg 20

COMPATIBLE HEAD MEMBERS

ALL

See Headmembers, pg 20

14

