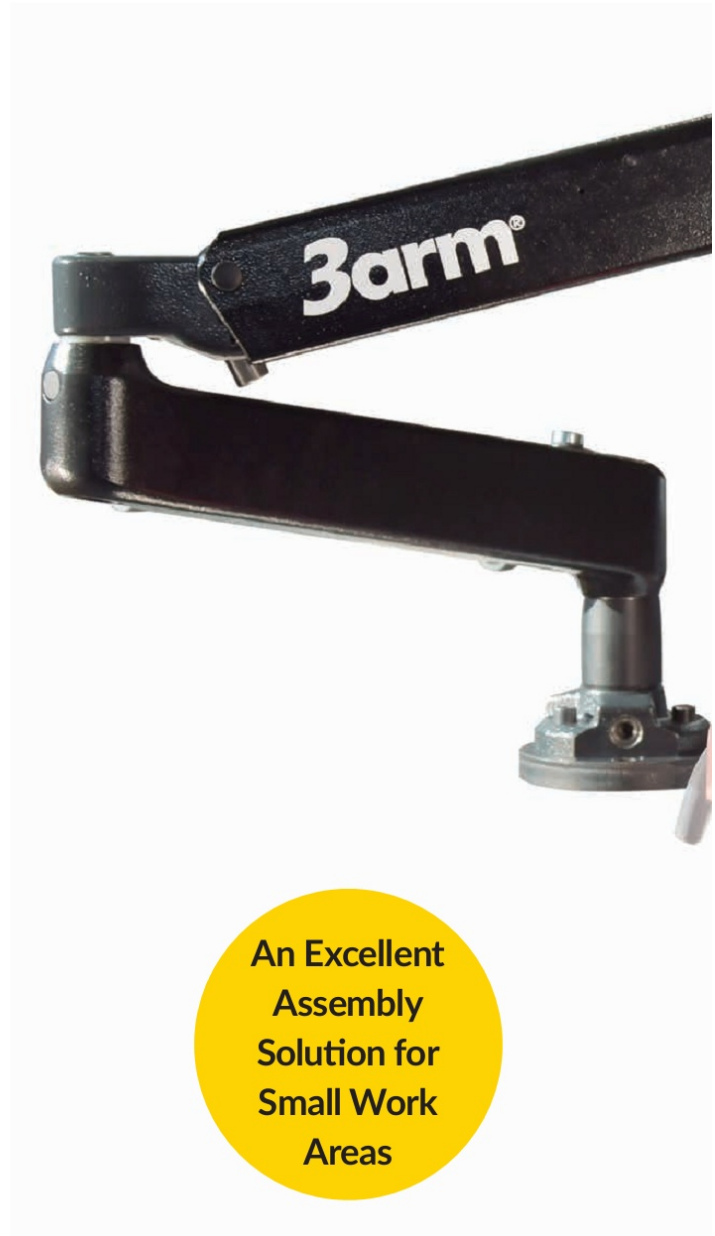
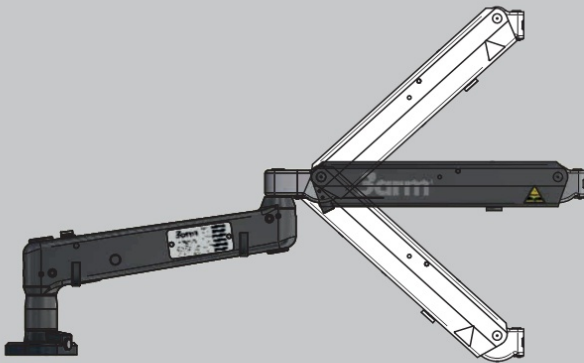


SERIES **2**

REACH		MAX. up to 10 kg	TORQUE up to 120 Nm
↑ VERT.	→ HORZ.		
530 in	860 mm	22 lbs	88 ft-lb
22 in	34 in		

A combination radial arm and tilting arm, each capable of 360° rotation. Two arms of different length give you the ability to reach separate working areas. A range of headmembers options offer solutions for a wide variety of tools and devices.



BASE

B	Floor Mounted
BE	Elevating Base
BS	Ceiling Mounted

Compare Series, pg 26

COMPATIBLE HEAD MEMBERS

B, BA, C, E, EA, F, G, K, N

See Headmembers, pg 20

BRAKE OPTIONS

L00 No brakes