



MANDRINI A CALETTAMENTO TERMICO
SHRINK FIT CHUCKS
SCHRUMPFUTTER
MANDRINS DE FRETTAGE
MANDRINOS DE DILATACIÓN TÉRMICA SHRINK FIT

Bilanciati G 2,5 - 15.000 giri/min
Balanced G 2,5 - 15.000 r.p.m.
Gewuchtet nach G 2,5 bei 15.000 U/mn.
Equilibré G 2,5 - 15.000 Tours/mn.
Equilibrado G 2,5 - 15.000 r.p.m.





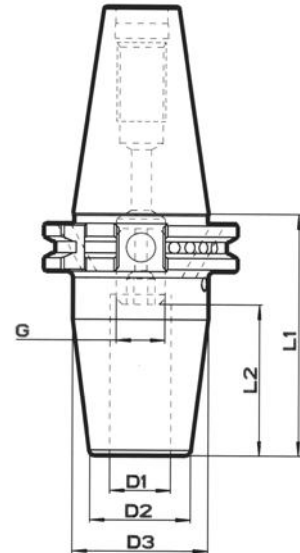
MANDRINI A CALETTAMENTO TERMICO DIN 69871 AD+B

SCHRINK FIT CHUCK DIN 69871 AD+B

SCHRUMPFUTTER DIN 69871 AD+B

MANDRIN DE FRETTAGE DIN 69871 AD+B

MANDRINO SHRINK FIT DIN 69871 AD+B

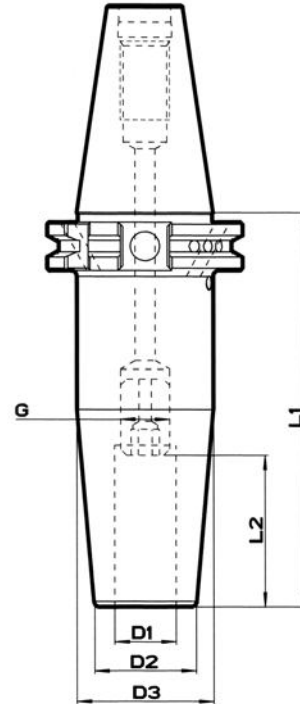


CODICE CODE BESTELL NR CODE CÓDIGO	ATTACCO SHANK AUFNAHMEN ATTACHEMENT MANGO	D1	D2	D3	L1	L2	G
ST060.0800-40A	40	6	21	27	80	36	M5
ST080.0800-40A	40	8	21	27	80	36	M6
ST100.0800-40A	40	10	24	32	80	42	M8
ST120.0800-40A	40	12	24	32	80	47	M10
ST140.0800-40A	40	14	27	34	80	47	M10
ST160.0800-40A	40	16	27	34	80	50	M12
ST180.0800-40A	40	18	33	42	80	50	M12
ST200.0800-40A	40	20	33	42	80	52	M16
ST250.1000-40A	40	25	44	53	100	58	M20
ST060.1000-50A	50	6	21	27	80	36	M5
ST080.1000-50A	50	8	21	27	80	36	M6
ST100.1000-50A	50	10	24	32	80	42	M8
ST120.1000-50A	50	12	24	32	80	47	M10
ST140.1000-50A	50	14	27	34	80	47	M10
ST160.1000-50A	50	16	27	34	80	50	M12
ST180.1000-50A	50	18	33	42	80	50	M12
ST200.1000-50A	50	20	33	42	80	52	M16
ST250.1000-50A	50	25	44	53	100	58	M20
ST320.1000-50A	50	32	44	53	100	58	M20





MANDRINI A CALETTAMENTO TERMICO DIN 69871 AD+B PROLUNGATI
EXTENDED SHRINK FIT CHUCK DIN 69871 AD+B
SCHRUMPFUTTER DIN 69871 AD+B VERLÄNGERT
MANDRIN DE FRETTAGE DIN 69871 AD+B ALLONGÉ
MANDRINO SHRINK FIT DIN 69871 AD+B EXTENDIDO



CODICE CODE BESTELL NR CODE CÓDIGO	ATTACCO SHANK AUFNAHMEN ATTACHEMENT MANGO	D1	D2	D3	L1	L2	G
Prolungati Extended Verlängerte Prolongé Extendido							
ST060.1600-40A	40	6	21	27	160	36	M5
ST080.1600-40A	40	8	21	27	160	36	M6
ST100.1600-40A	40	10	24	32	160	42	M8
ST120.1600-40A	40	12	24	32	160	47	M10
ST140.1600-40A	40	14	27	34	160	47	M10
ST160.1600-40A	40	16	27	34	160	50	M12
ST180.1600-40A	40	18	33	42	160	50	M12
ST200.1600-40A	40	20	33	42	160	52	M16
ST250.1600-40A	40	25	44	53	160	58	M20
ST060.1600-50A	50	6	21	27	160	36	M5
ST080.1600-50A	50	8	21	27	160	36	M6
ST100.1600-50A	50	10	24	32	160	42	M8
ST120.1600-50A	50	12	24	32	160	47	M10
ST140.1600-50A	50	14	27	34	160	47	M10
ST160.1600-50A	50	16	27	34	160	50	M12
ST180.1600-50A	50	18	33	42	160	50	M12
ST200.1600-50A	50	20	33	42	160	52	M16
ST250.1600-50A	50	25	44	53	160	58	M20
ST320.1600-50A	50	32	44	53	160	58	M20



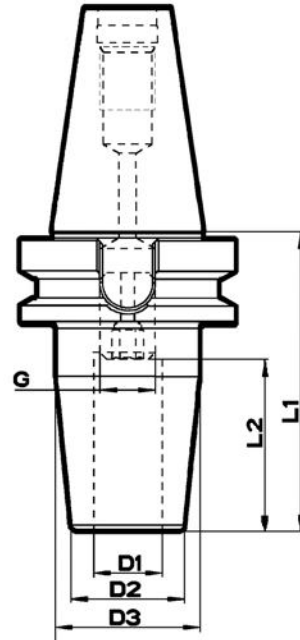
MANDRINI A CALETTAMENTO TERMICO MAS 403 BT

SCHRINK FIT CHUCK MAS 403 BT

SCHRUMPFUTTER MAS 403 BT

MANDRIN DE FRETTAGE MAS 403 BT

MANDRINO SHRINK MAS 403 BT

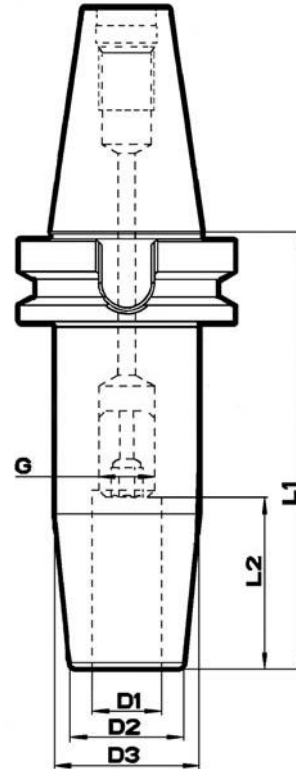
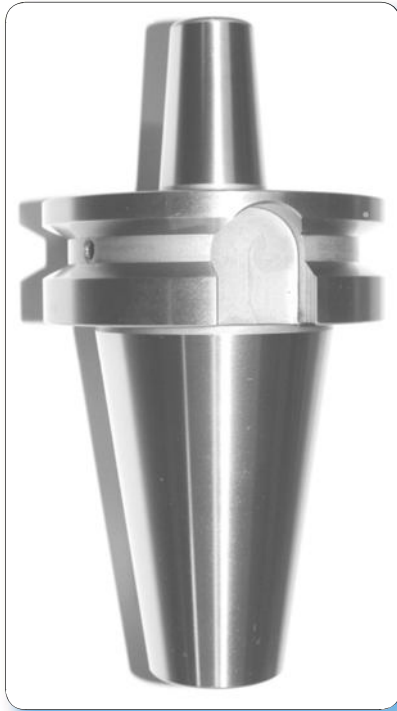


CODICE CODE BESTELL NR CODE CÓDIGO	ATTACCO SHANK AUFNAHMEN ATTACHEMENT MANGO	D1	D2	D3	L1	L2	G
ST060.0900-40BT	40	6	21	27	90	36	M5
ST080.0900-40BT	40	8	21	27	90	36	M6
ST100.0900-40BT	40	10	24	32	90	42	M8
ST120.0900-40BT	40	12	24	32	90	47	M10
ST140.0900-40BT	40	14	27	34	90	47	M10
ST160.0900-40BT	40	16	27	34	90	50	M12
ST180.0900-40BT	40	18	33	42	90	50	M12
ST200.0900-40BT	40	20	33	42	90	52	M16
ST250.1000-40BT	40	25	44	53	100	58	M20
ST060.0900-50BT	50	6	21	27	90	36	M5
ST080.0900-50BT	50	8	21	27	90	36	M6
ST100.0900-50BT	50	10	24	32	90	42	M8
ST120.0900-50BT	50	12	24	32	90	47	M10
ST140.0900-50BT	50	14	27	34	90	47	M10
ST160.0900-50BT	50	16	27	34	90	50	M12
ST180.0900-50BT	50	18	33	42	90	50	M12
ST200.0900-50BT	50	20	33	42	90	52	M16
ST250.1000-50BT	50	25	44	53	100	58	M20
ST320.1000-50BT	50	32	44	53	100	58	M20





MANDRINI A CALETTAMENTO TERMICO MAS 403 BT PROLUNGATI
EXTENDED SHRINK FIT CHUCK MAS 403 BT
SCHRUMPFUTTER MAS 403 BT VERLÄNGERT
MANDRIN DE FRETTAGE MAS 403 BT ALLONGÉ
MANDRINO SHRINK FIT MAS 403 BT EXTENDIDO



CODICE CODE BESTELL NR CODE CÓDIGO	ATTACCO SHANK AUFNAHMEN ATTACHEMENT MANGO	D1	D2	D3	L1	L2	G
ST060.1600-40BT	40	6	21	27	160	36	M5
ST080.1600-40BT	40	8	21	27	160	36	M6
ST100.1600-40BT	40	10	24	32	160	42	M8
ST120.1600-40BT	40	12	24	32	160	47	M10
ST140.1600-40BT	40	14	27	34	160	47	M10
ST160.1600-40BT	40	16	27	34	160	50	M12
ST180.1600-40BT	40	18	33	42	160	50	M12
ST200.1600-40BT	40	20	33	42	160	52	M16
ST250.1600-40BT	40	25	44	53	160	58	M20
ST060.1600-50BT	50	6	21	27	160	36	M5
ST080.1600-50BT	50	8	21	27	160	36	M6
ST100.1600-50BT	50	10	24	32	160	42	M8
ST120.1600-50BT	50	12	24	32	160	47	M10
ST140.1600-50BT	50	14	27	34	160	47	M10
ST160.1600-50BT	50	16	27	34	160	50	M12
ST180.1600-50BT	50	18	33	42	160	50	M12
ST200.1600-50BT	50	20	33	42	160	52	M16
ST250.1600-50BT	50	25	44	53	160	58	M20
ST320.1600-50BT	50	32	44	53	160	58	M20





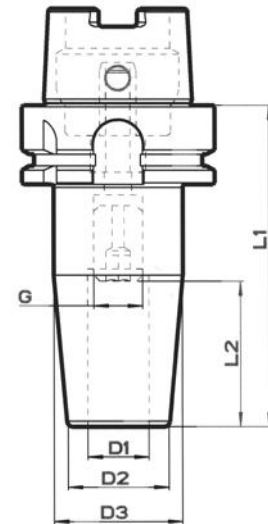
MANDRINI A CALETTAMENTO TERMICO HSK DIN 69893

SCHRINK FIT CHUCK HSK DIN 69893

SCHRUMPFUTTER HSK DIN 69893

MANDRIN DE FRETTAGE HSK DIN 69893

MANDRINO SHRINK FIT HSK DIN 69893



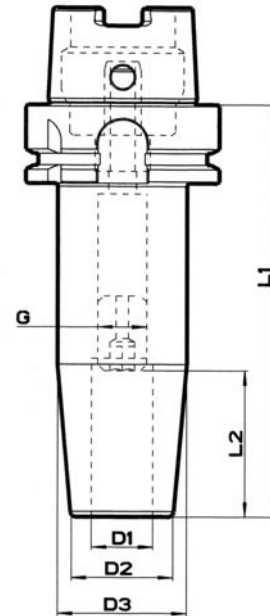
HSK - A+C

CODICE CODE BESTELL NR CODE CÓDIGO	ATTACCO SHANK AUFNAHMEN ATTACHEMENT MANGO	D1	D2	D3	L1	L2	G	Peso Weight Gewicht Poids Peso Kg
ST060.0800-H63A	HSK-63A	6	21	27	80	36	M5	1
ST080.0800-H63A	HSK-63A	8	21	27	80	36	M6	1
ST100.0850-H63A	HSK-63A	10	24	32	85	42	M8	1
ST120.0900-H63A	HSK-63A	12	24	32	90	47	M10	1
ST140.0900-H63A	HSK-63A	14	27	34	90	47	M10	1,3
ST160.0950-H63A	HSK-63A	16	27	34	95	50	M12	1,1
ST180.0950-H63A	HSK-63A	18	33	42	95	50	M12	1,2
ST200.1000-H63A	HSK-63A	20	33	42	100	52	M16	1,3
ST250.1150-H63A	HSK-63A	25	44	53	115	58	M20	1,8
ST320.1200-H63A	HSK-63A	32	44	53	120	58	M20	1,8
ST060.1000-H100A	HSK-100A	6	21	27	85	36	M5	1,3
ST080.1000-H100A	HSK-100A	8	21	27	85	36	M6	1,3
ST100.1000-H100A	HSK-100A	10	24	32	90	42	M8	1,3
ST120.1000-H100A	HSK-100A	12	24	32	95	47	M10	1,3
ST140.1000-H100A	HSK-100A	14	27	34	95	47	M10	1,3
ST160.1000-H100A	HSK-100A	16	27	34	100	50	M12	1,4
ST180.1000-H100A	HSK-100A	18	33	42	100	50	M12	1,6
ST200.1050-H100A	HSK-100A	20	33	42	105	52	M16	1,7
ST250.1150-H100A	HSK-100A	25	44	53	115	58	M20	2,2
ST320.1150-H100A	HSK-100A	32	44	53	120	58	M20	3





MANDRINI A CALETTAMENTO TERMICO HSK DIN 69893 PROLUNGATI
EXTENDED SHRINK FIT CHUCK HSK DIN 69893
SCHRUMPFUTTER HSK DIN 69893 VERLÄNGERT
MANDRIN DE FRETTAGE HSK DIN 69893 ALLONGÉ
MANDRINO SHRINK FIT HSK DIN 69893 EXTENDIDO



CODICE CODE BESTELL NR CODE CÓDIGO	ATTACCO SHANK AUFNAHMEN ATTACHEMENT MANGO	D1	D2	D3	L1	L2	G
Prolungati Extended Verlängerte Prolongé Extendido							
ST060.1600-H63A	HSK-63A	6	21	27	160	36	M5
ST080.1600-H63A	HSK-63A	8	21	27	160	36	M6
ST100.1600-H63A	HSK-63A	10	24	32	160	42	M8
ST120.1600-H63A	HSK-63A	12	24	32	160	47	M10
ST140.1600-H63A	HSK-63A	14	27	34	160	47	M10
ST160.1600-H63A	HSK-63A	16	27	34	160	50	M12
ST180.1600-H63A	HSK-63A	18	33	42	160	50	M12
ST200.1600-H63A	HSK-63A	20	33	42	160	52	M16
ST250.1600-H63A	HSK-63A	25	44	53	160	58	M20
ST060.1600-H100A	HSK-100A	6	21	27	160	36	M5
ST080.1600-H100A	HSK-100A	8	21	27	160	36	M6
ST100.1600-H100A	HSK-100A	10	24	32	160	42	M8
ST120.1600-H100A	HSK-100A	12	24	32	160	47	M10
ST140.1600-H100A	HSK-100A	14	27	34	160	47	M10
ST160.1600-H100A	HSK-100A	16	27	34	160	50	M12
ST180.1600-H100A	HSK-100A	18	33	42	160	50	M12
ST200.1600-H100A	HSK-100A	20	33	42	160	52	M16
ST250.1600-H100A	HSK-100A	25	44	53	160	58	M20
ST320.1600-H100A	HSK-100A	32	44	53	160	58	M20



